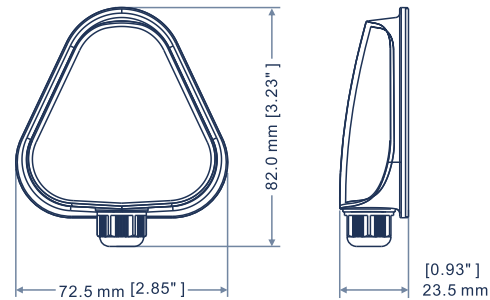




WF01

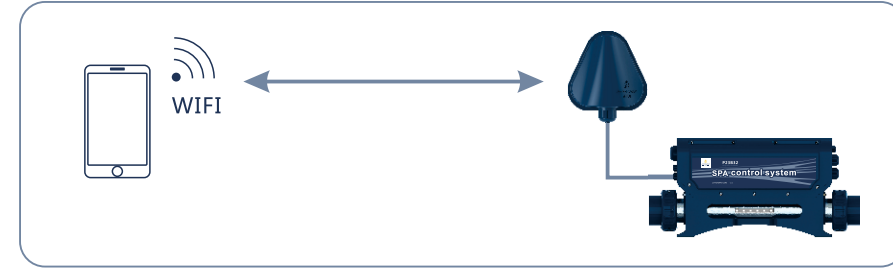
WiFi Transceiver

Power Supply : DC12V Max 200mA
 Frequency : 2.4GHz
 Wireless Standard : IEEE 802.11 b/g/n
 Working Model : AP/STA

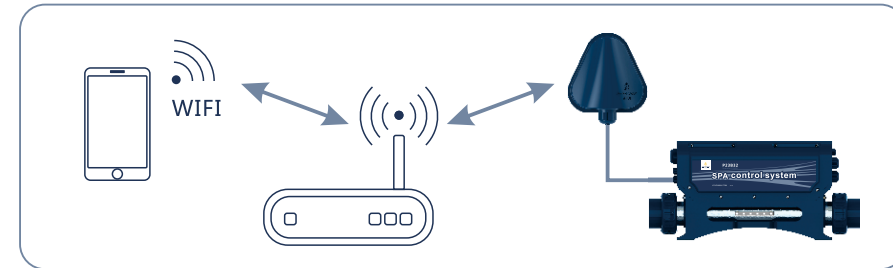


OPERATION MODE

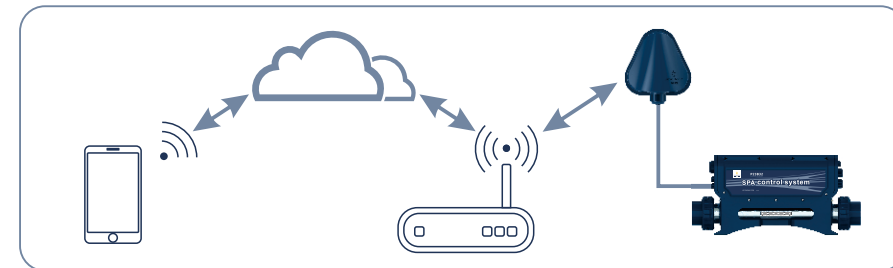
1. OPERATE BY SMARTPHONE THROUGH WIFI HOTSPOT.



2. OPERATE BY SMARTPHONE THROUGH LAN.



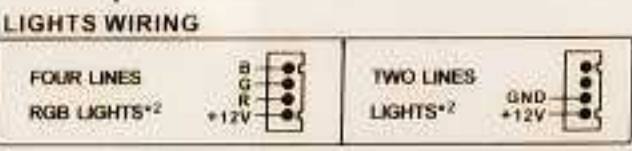
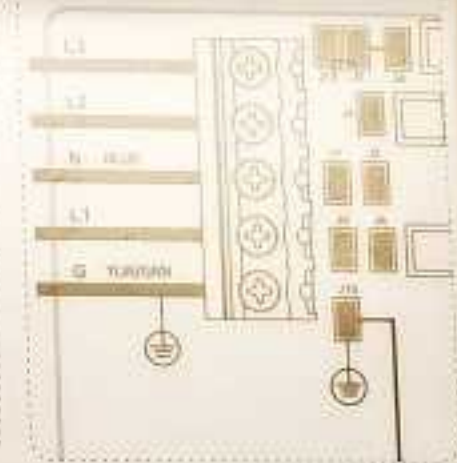
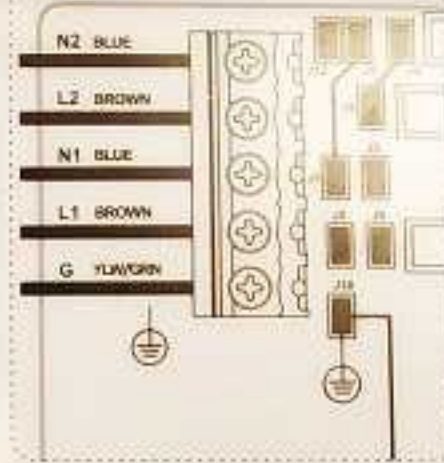
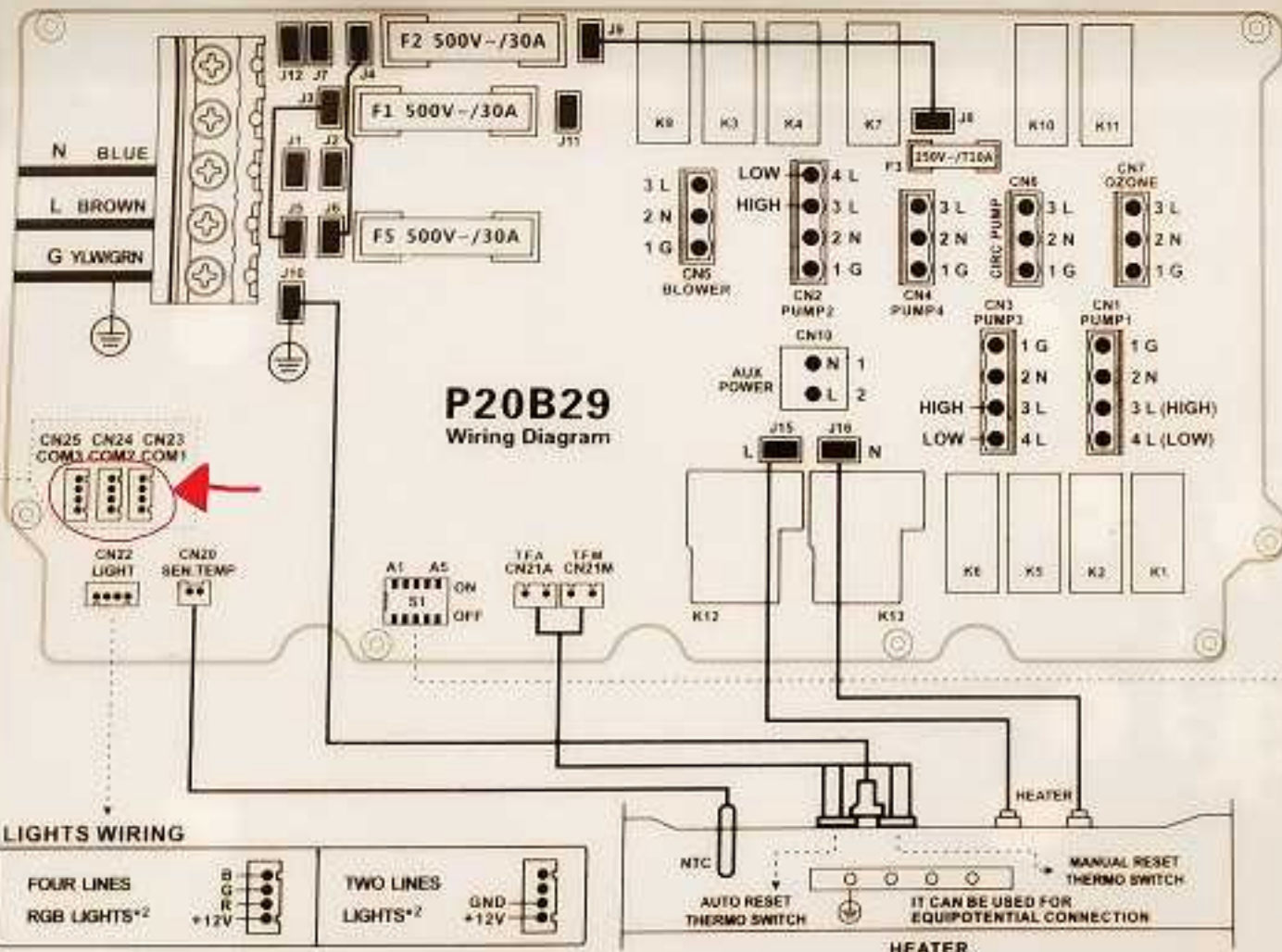
3. OPERATE BY SMARTPHONE THROUGH THE CLOUD.



INPUT1 220-240V~ 50Hz 1Px32A J3 ↔ J5 J4 ↔ J6 J8 ↔ J9

INPUT2 220-240V~ 50Hz 2Px16A J1 ↔ J7 J3 ↔ J4 J8 ↔ J9

INPUT3 220-240V~ 50Hz 3Px16A J4 ↔ J7 J8 ↔ J9



SWITCHBANK S1 SETTING (ON ▲ / OFF ▼)

HOST SYSTEM	▲ A1 ▼	SLAVE SYSTEM
POWER NOT LIMIT	▲ A2 ▼	POWER LIMIT ^{*1}
NOT ASSIGNED	▲ A3 ▼	NOT ASSIGNED
SETTING ^{*2}	▲ A4 ▼	STORE SETTING ^{*3}
CIRC PUMP(HEATER PUMP)	▲ A5 ▼	LOW SPEED OF PUMP1(HEATER PUMP)

^{*1} WHEN SWITCH A2 ▼, HEATER CAN NOT WORK WITH PUMP3
^{*2} USE PANEL TO SETUP THE LOAD CONFIGURATION WHEN A4 ▲
^{*3} SWITCH A4 SHOULD BE SETTED TO OFF UPON FINAL INSTALLATION A4 ▼

COM CONNECTORS WIRING

CONNECTOR	SYSTEM TYPE	HOST SYSTEM	SLAVE SYSTEM
CN23	PANELS	HOST SYSTEM	HOST SYSTEM
CN24	WIFI TRANSCEIVER	PANELS	PANELS
CN25	AV DEVICE	WIFI TRANSCEIVER	WIFI TRANSCEIVER
	SLAVE SYSTEM	AV DEVICE	AV DEVICE

LOAD PARAMETERS FOR 1 SPEED PUMP1, PUMP2 AND PUMP3, PLS CONNECT TO L(HIGH)

HEATER PUMP OPTION (DEPEND ON SWITCH A5)											
CIRC PUMP		LOW SPEED OF PUMP1									
PUMP1(1/2SPD ^{*2})	CIRC PUMP	PUMP1(2 SPD)	CIRC PUMP	PUMP2(1/2 SPD ^{*2})	PUMP3(1/2 SPD ^{*2})	PUMP4	BLOWER	OZONE	LIGHT	AUX POWER	
HIGH:10A MAX LOW:2.5A MAX	2.5A MAX	HIGH:10A MAX LOW:2.5A MAX	N/A	HIGH:10A MAX LOW:2.5A MAX	HIGH:10A MAX LOW:2.5A MAX	10A MAX	5A MAX	1A MAX	12VDC 2A MAX	1A MAX	
CN1	CN6	CN1		CN2	CN3	CN4	CN5	CN7	CN22	CN10	